

REFERENCE

SPEC. No. ED-04Q007
ISSUE March 9, 2005

SHARP

OPTO-ELECTRONIC DEVICES DIVISION
ELECTRONIC COMPONENTS GROUP
SHARP CORPORATION

SPECIFICATION

DEVICE SPECIFICATION FOR

MODEL No. VOLTAGE REGULATOR
PQ1CG2032FZH

Specified for _____

Enclosed please find copies of the Specifications which consists of 14 pages including cover.
This specification sheets and attached sheets shall be both side copy.
After confirmation of the contents, please be sure to send back copies of the Specifications
with approving signature on each.

CUSTOMER'S APPROVAL

DATE

BY

PRESENTED

DATE

BY H, I, O,

H. Imanaka,
Department General Manager of
Engineering Dept., II
Opto-Electronic Devices Div.
ELECOM Group
SHARP CORPORATION

Product name : VOLTAGE REGULATOR

Model No. : PQ1CG2032FZH

1. These specification sheets include materials protected under copyright of Sharp Corporation ("Sharp"). Please do not reproduce or cause anyone to reproduce them without Sharp's consent.
2. When using this product, please observe the absolute maximum ratings and the instructions for use outlined in these specification sheets, as well as the precautions mentioned below. Sharp assumes no responsibility for any damage resulting from use of the product which does not comply with the absolute maximum ratings and the instructions included in these specification sheets, and the precautions mentioned below.

(Precautions)

- (1) This product is designed for use in the following application areas ;

(• OA equipment • Audio visual equipment • Home appliances
 • Telecommunication equipment (Terminal) • Measuring equipment
 • Tooling machines • Computers

If the use of the product in the above application areas is for equipment listed in paragraphs (2) or (3), please be sure to observe the precautions given in those respective paragraphs.

- (2) Appropriate measures, such as fail-safe design and redundant design considering the safety design of the overall system and equipment, should be taken to ensure reliability and safety when this product is used for equipment which demands high reliability and safety in function and precision, such as ;

(• Transportation control and safety equipment (aircraft, train, automobile etc.)
 • Traffic signals • Gas leakage sensor breakers • Rescue and security equipment
 • Other safety equipment

- (3) Please do not use this product for equipment which require extremely high reliability and safety in function and precision, such as ;

(• Space equipment • Telecommunication equipment (for trunk lines)
 • Nuclear power control equipment • Medical equipment

- (4) Please contact and consult with a Sharp sales representative if there are any questions regarding interpretation of the above three paragraphs.

3. Please contact and consult with a Sharp sales representative for any questions about this product.

1. Application

This specification applies to the outline and characteristics of chopper type regulator, Model No. PQ1CG2032FZH.

Usage

The PQ1CG2032FZH is a step-down variable output type PWM method chopper type regulator (Input voltage range : 4.5 to 40V) with built-in ON/OFF control function of output voltage, over current protection function, over heat protection function, low consumption current at OFF-state (stand-by) and soft start circuit, and is suitable for large dropout voltage application between input and output, and polarity inversion application.

Block diagram Refer to the attached sheet, page 3.

2. Outline : Refer to the attached sheet, page 4.

3. Ratings and characteristics : Refer to the attached sheet, page 5, 6.

3.1 Absolute maximum ratings (Fig. 1) Pd-Ta rating (Typical value)

3.2 Electrical characteristics

3.3 Electrical characteristics measuring circuit

4. Reliability Refer to the attached sheet, Page 7.

5. Outgoing inspection Refer to the attached sheet, Page 8.

6. Supplement

6.1 Example of application : Refer to the attached sheet, Page 8.

6.2 This product is not designed as electromagnetic and ionized-particle radiation resistant.

6.3 ODS materials

This product shall not contain the following materials.

Also, the following materials shall not be used in the production process for this product.

Materials for ODS : CFCs, Halon, Carbon tetrachloride, 1,1,1-Trichloroethane (Methyl chloroform)

6.4 Brominated flame retardants

Specific brominated flame retardants such as the PBBO₈ and PBB₈ are not used in this device at all.

6.5 Packing specification : Refer to the attached sheet, Page 9.

7. Notes : Refer to the attached sheet, Page 10 to 13.

7.1 External connection

7.2 Thermal protection design

7.3 Adjustment of output voltage

7.4 ON/OFF control terminal in the following circuit

7.5 Mounting

7.6 Static electricity

7.7 Cleaning

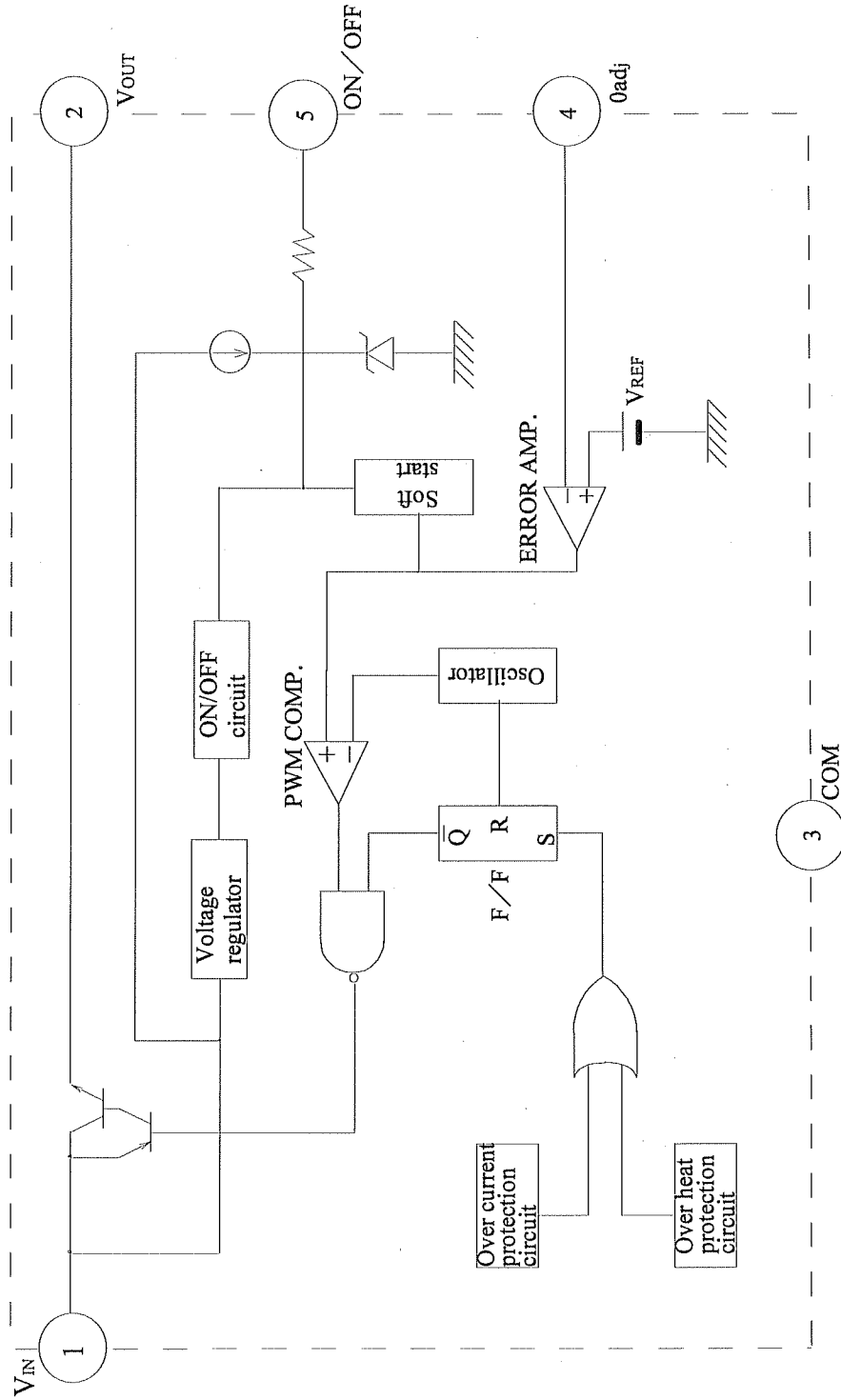
7.8 Storage environment

7.9 Hand soldering

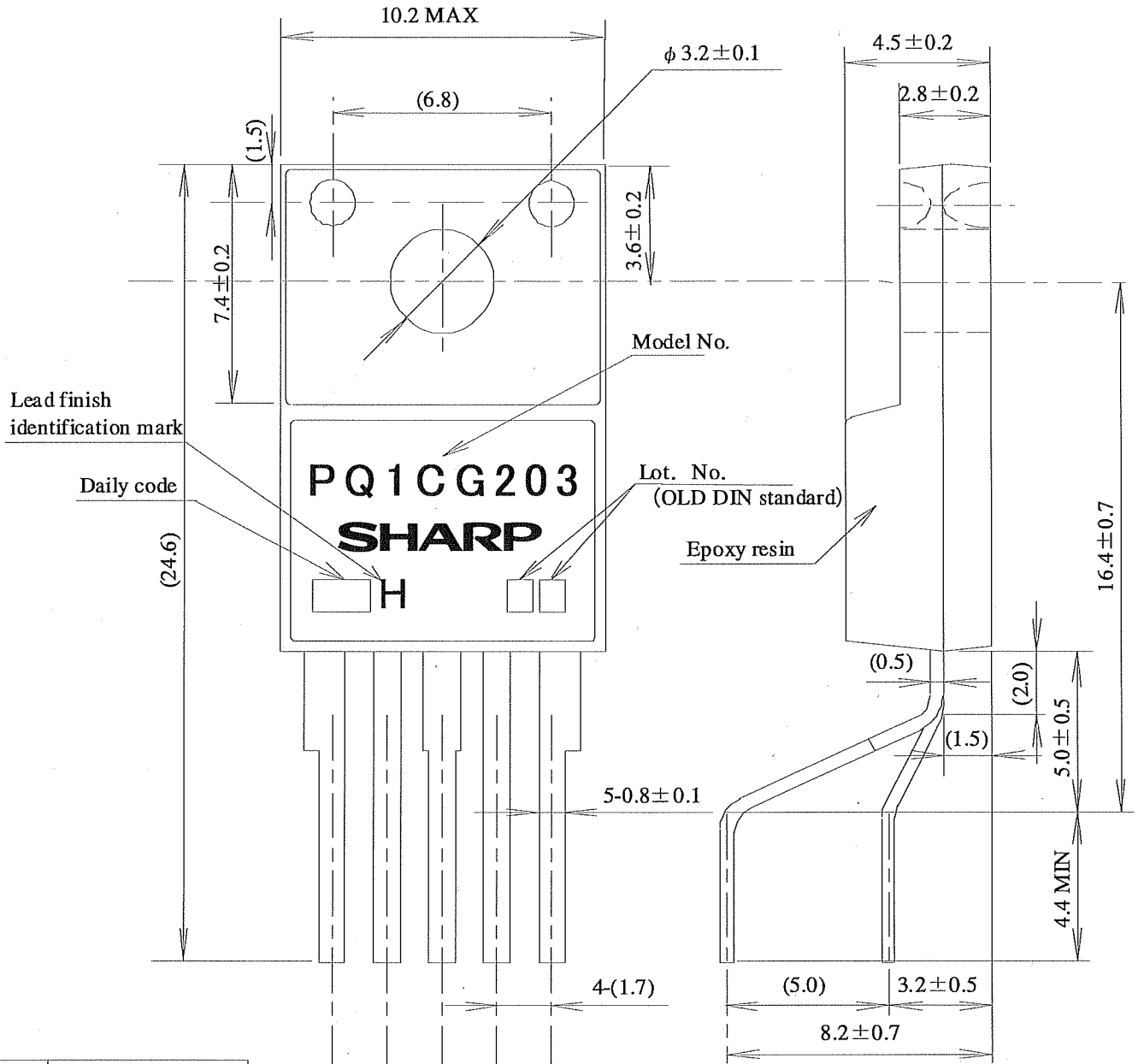
7.10 Input voltage to Oadj terminal

REFERENCE

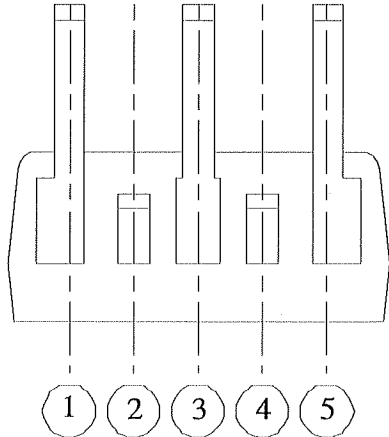
PQ1CG2032FZH Block diagram



2. Outline



Date	Daily code indication
1	1
2	2
3	3
.	.
.	.
30	30
31	31



- () : TYP.
- Radius of lead forming portion
R=TYP 1.0
- Unit : mm
- Scale : 5/1
- Lead finish : Lead-free solder plating
(Composition:Sn2Cu)
- Lead material : Cu
- Product mass : 1.5 ± 0.2g

- ①VIN
- ②VOUT
- ③COM
- ④Oadj
- ⑤ON/OFF

3. Rating and characteristics

3.1 Absolute maximum rating

Ta=25°C

Parameter	Symbol	Rating	Unit	Conditions
Input voltage (*1)	V _{IN}	40	V	
Output adjustment pin voltage	V _{adj}	7	V	
Input-output voltage	V _{IO}	41	V	
Output-COM voltage (*2)	V _{OUT}	-1	V	
ON/OFF control voltage (*3)	V _c	-0.3 to 40	V	
Switching current	I _{sw}	3.5	A	
Power dissipation (*4)	Pd1	1.4	W	Refer to Fig. 1
	Pd2	14	W	
Junction temperature (*5)	T _j	150	°C	
Operating temperature	Topr	-20 to +80	°C	
Storage temperature	Tstg	-40 to +150	°C	
Soldering temperature	Tsol	260	°C	For 10 s

(*1) Voltage between V_{IN} terminal and COM terminal.

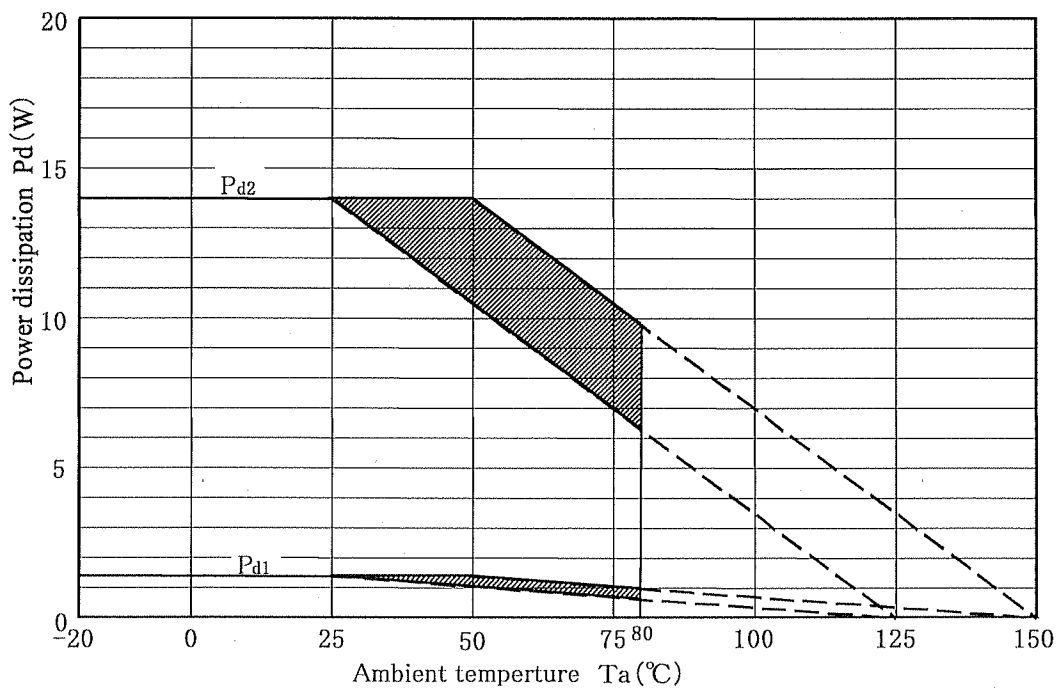
(*2) Voltage between V_{OUT} terminal and COM terminal.

(*3) Voltage between ON/OFF control and COM terminal

(*4) Pd1 : No heat sink, Pd2 : With infinite heat sink

(*5) There is case that over heat protection function operates at the temperature T_j=125 to 150°C, so this item cannot be used in this temperature range.

Fig. 1 Inner derating curve



Pd 1 : No heat sink

Pd 2 : With infinite heat sink

(Note) There is case that over heat protection function operates at oblique line portion.

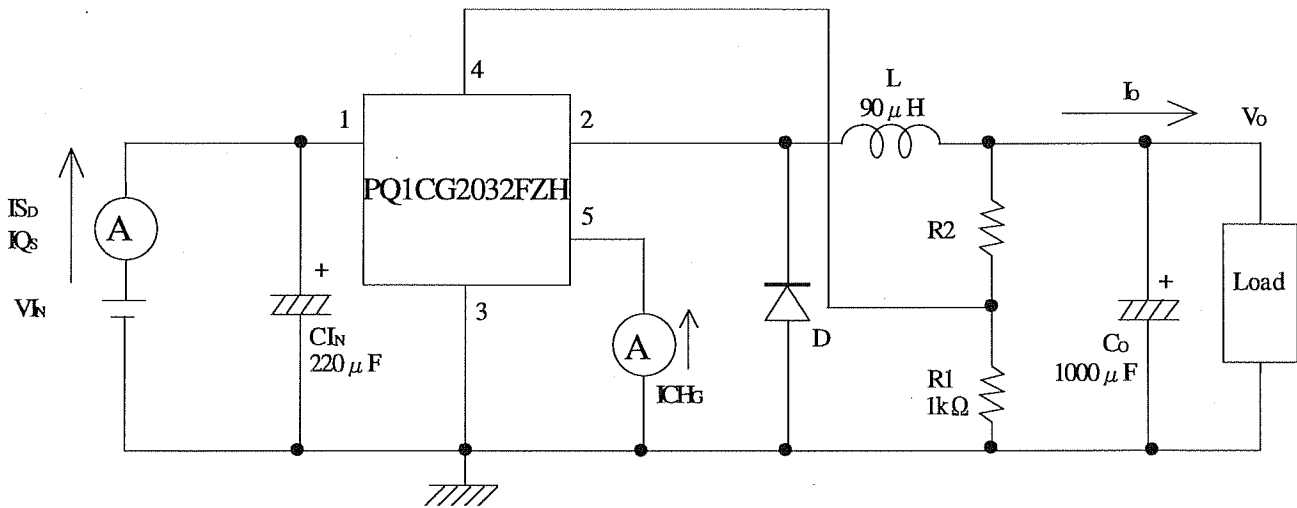
3.2 Electrical characteristics

Unless otherwise specified condition shall be $V_{IN}=12V$, $I_o=0.5A$, $V_o=5V$, 5 pin : Open $T_a=25^{\circ}C$

Parameter	Symbol	MIN.	TYP.	MAX.	Unit	Conditions
Output saturation voltage	V_{SAT}	-	1.4	1.8	V	$I_{sw}=3A$
Reference voltage	V_{REF}	1.235	1.26	1.285	V	
Temperature change in reference voltage	ΔV_{REF}	-	± 0.5	-	%	$T_j=0$ to $125^{\circ}C$
Load regulation	$ RegL $	-	0.2	1.5	%	$I_o=0.5$ to $3A$
Line regulation	$ RegI $	-	0.5	2.5	%	$V_{IN}=8$ to $35V$
Efficiency	η	-	80	-	%	$I_o=3A$
Oscillator frequency	f_o	60	70	80	kHz	
Temperature change in oscillator frequency	Δf_o	-	± 2	-	%	$T_j=0$ to $125^{\circ}C$
Over current detector level	I_L	3.6	4.2	5.8	A	I_{sw} (peak)
Charging current	I_{CHG}	-	-10	-	μA	2, 4 pin : Open 5 pin
Input threshold voltage	V_{THL}	-	1.3	-	V	Duty =0%, 5 pin 4 pin=0V
	V_{THH}	-	2.3	-	V	Duty=100%, 5 pin 4 pin : Open
On threshold voltage	V_{THON}	0.7	0.8	0.9	V	4 pin=0V, 5 pin
Stand-by current	I_{SD}	-	140	400	μA	$V_{IN}=40V$, 5 pin=0V
Output off-state consumption current	I_{QS}	-	8	16	mA	$V_{IN}=40V$ 5 pin=0.9V

3.3 Electrical characteristics measuring circuit

Fig. 2 Standard measuring circuit



L: HK-12S120-9000R (TOHO ZINC CO., LTD.)

D: ERC80-004 (FUJI ELECTRONIC COMPONENTS, LTD)

ON/OFF control logic

5 pin	Output
LOW	OFF
HIGH	ON
OPEN	ON

4. Reliability

The reliability of products shall satisfy items listed below.

Confidence level : 90%

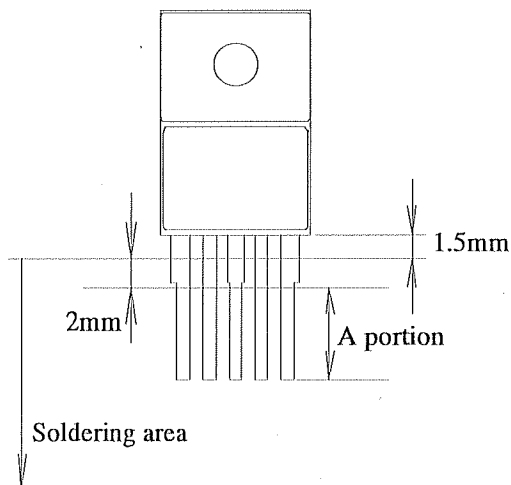
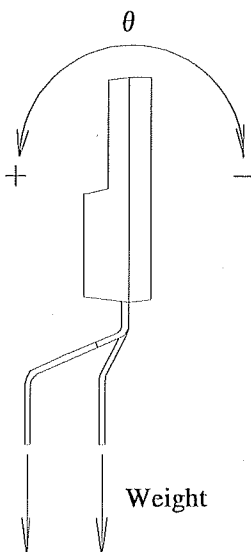
LTPD : 10 or 20

Test Items	Test Conditions	Failure Judgement Criteria	Samples (n)
			Defective(C)
Temperature cycling	1 cycle -40°C(30min) to +150°C (30min) 20 cycles test	$V_{REF} < L \times 0.8$ $V_{REF} > U \times 1.2$ $f_o < L \times 0.8$ $f_o > U \times 1.2$ $ RegL > U \times 1.2$ $ RegI > U \times 1.2$ $V_{SAT} > U \times 1.2$	n=22, C=0
Humidity (Steady State)	+60°C, 90%RH, 1000h		n=22, C=0
Damp Heat cycling	1 cycle : -20°C(2h) to 70°C(2h) Transfer time between high and low temp. is 1h.40 cycles test, 90%RH		n=22, C=0
High temp. storage	+150°C, 1000h		n=22, C=0
Low temp. storage	-40°C, 1000h		n=22, C=0
Operation life	Ta=25°C, Pd=1.4W, Without radiator plate, 1000h		n=22, C=0
Mechanical shock	15km/s ² , 0.5ms each 3 times/ ±X, ±Y, ±Z		n=11, C=0
Vibration (Variable frequency)	200m/s ² 100 to 2000 to 100Hz/4 min each 4 times/ X, Y, Z direction		n=11, C=0
Soldering heat	260°C, 10 s, Dip up to 1.5mm from resin portion *3		n=11, C=0
Electrostatic discharge	±250V, 200pF, 0Ω Between GND and each terminal/ each 3 times		n=11, C=0
Robustness of Termination (Tensile test)	Weight: 10N 30 s/ each terminal	Failure if it has breakdown and loosened pin (Except transformation of terminal)	n=11, C=0
Robustness of Termination (Bending test)	Weight: 2.5N 0° ~90° ~0° ~-90° ~0° each terminal *2		n=11, C=0
Solderability	245±2°C, 3 s Solder : Sn/3.0Ag/0.5Cu Use EC19S(TAMURA KAKEN Corporation made flux) *3	Failure if A portion area is not soldered 95% or more.	n=11, C=0

*1 Although color of terminals may change, this change of color is not included in criteria of failure judgement.

*2 Terminal bending direction is shown below.

*3 Soldering area is shown below.



5. Outgoing inspection

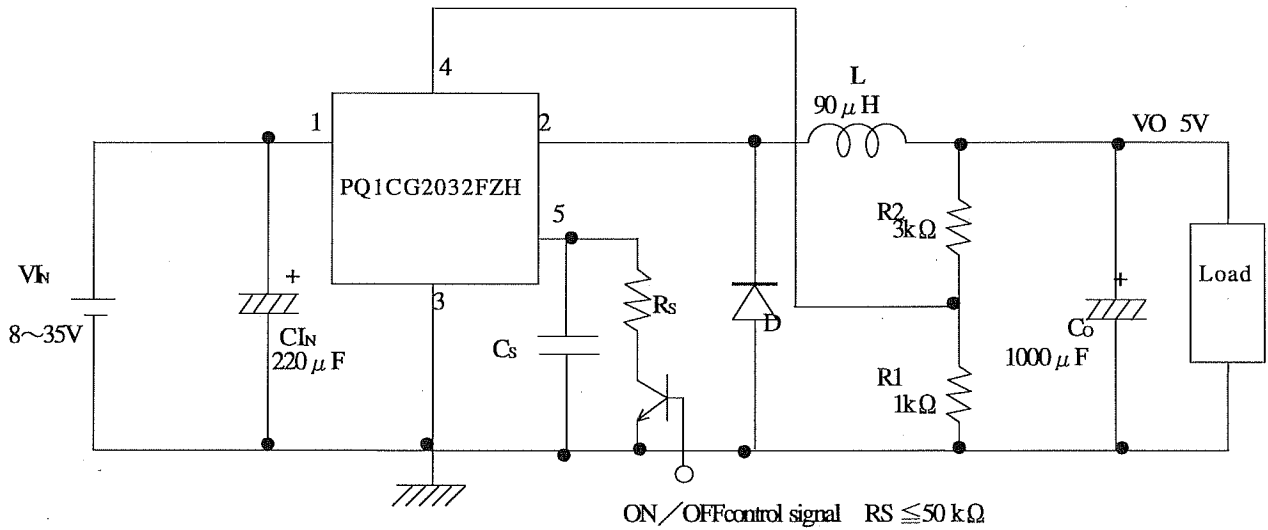
A single sampling plan, normal inspection level II based on ISO 2859 is applied.
The AQL according to the inspection items are shown below.

Defect	Inspection items	AQL (%)	Judgement criteria
Major defect	Electrical characteristics	0.1	It is based on the contents in the specification.
	Marking		To be recognized.
Minor defect	Dimensions	0.4	It is based on the contents in the specification.
	Appearance		Having no resin break off and lead bending.

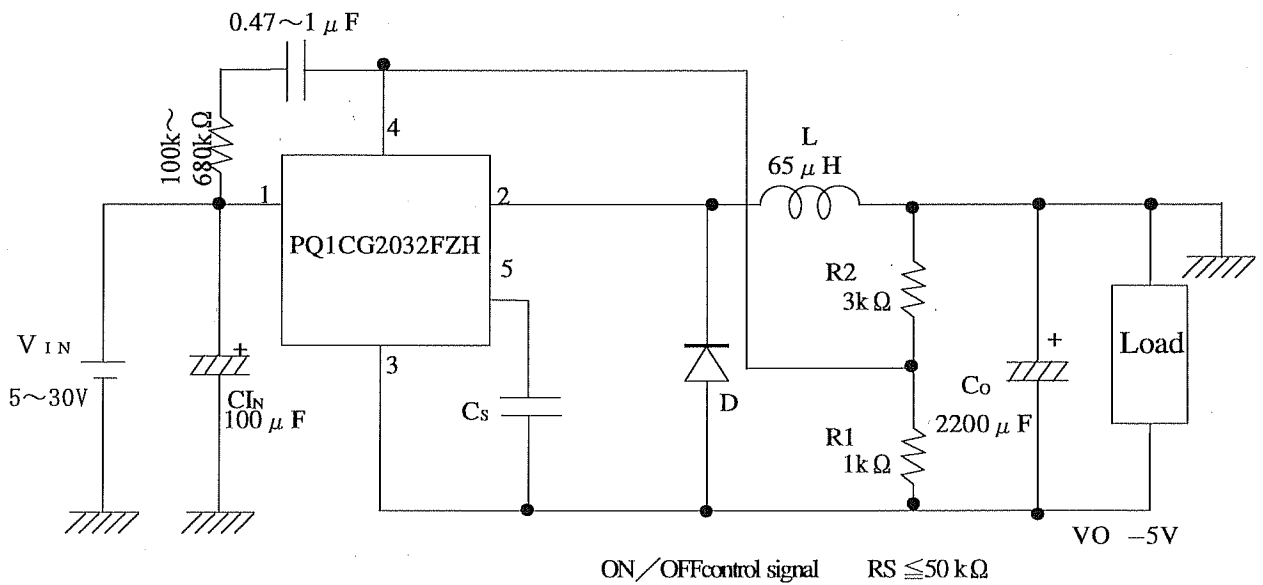
6. Supplement

6.1 Example of application

Step down type circuit diagram



Polarity invert type circuit diagram

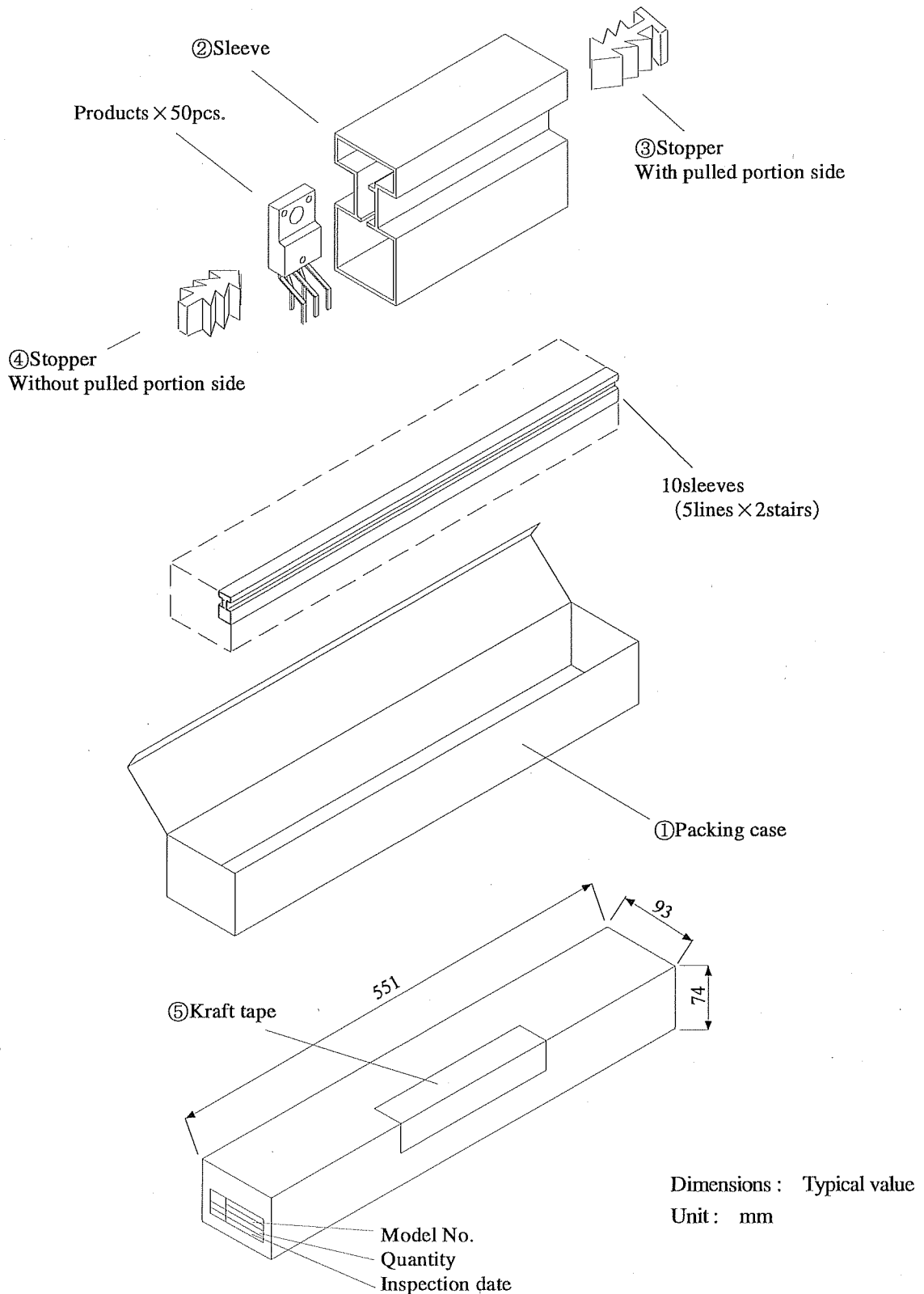


In case that polarity is used by reverse, depend on the conditions, there is cases that output voltage can not gain, please use this device after confirming at the actual conditions.

6.5 Packing specification

- (1) MAX. 50pcs. of products shall be packaged in a sleeve and both of sleeve edges shall be fixed by stoppers.
- (2) MAX. 10 sleeves (5 lines × 2 stairs) above shall be packaged in a outer case.
- (3) Packing case shall be enclosed with kraft tape.

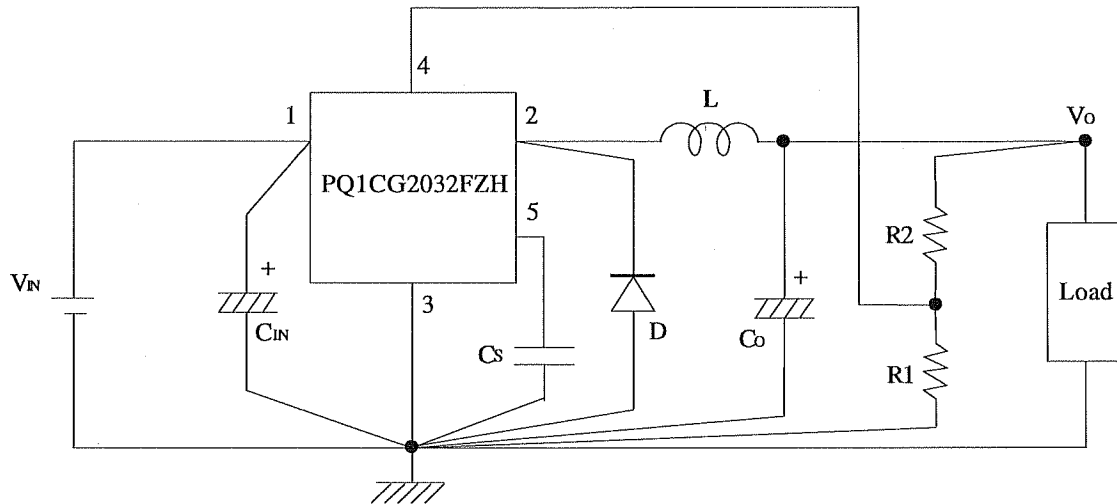
The description of contents on the side of outer packing case shall be marked as follows;



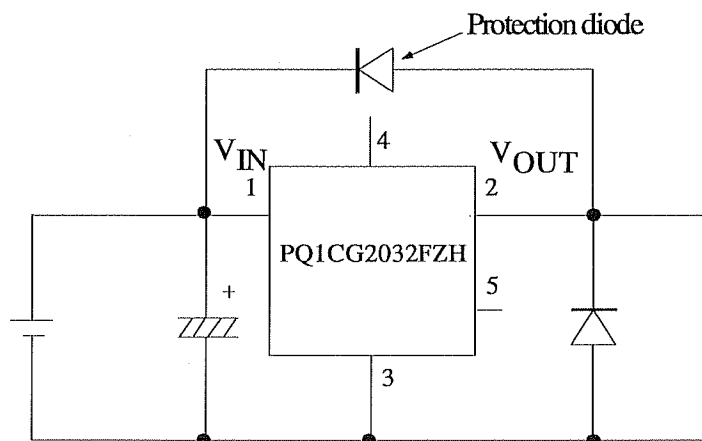
• Product mass at 500pcs./package : Approximately 1.5kg

7. Notes

7.1 External connection



- (1) Layout is very important, Rapidly switching currents associated with wiring inductance generate voltage transients which can cause problems. For minimal inductance and ground loops, the length of the leads indicated by heavy lines should be kept as short as possible.
- (2) First switching speed and low forward voltage type schottky barrier diode should be recommended for the catch-diode because it affects the efficiency. Please use the catch-diode current rating must be at least 1.2 times greater than maximum load current.
- (3) The output ripple voltage is highly influenced by ESR (Equivalent Series Resistor), and can be minimized by selected Low ESR capacitor.
- (4) An inductor should not be operated beyond its maximum rated current because it may saturate.
- (5) When voltage that is higher than V_{IN} ①, is applied to V_{OUT} ②, there is the case that the device is broken. Especially, in case V_{IN} ① is shorted to GND in normal condition, there is the case that the device is broken since the charged electric charge in output capacitor (C_O) flows into input side. In such case a schottky barrier diode or a silicon diode shall be recommended to connect as the following circuit



7.2 Thermal protection design

Internal power dissipation (P) of device is obtained by the following equation.

$$P = I_{SW} (\text{Average}) \times V_{SAT} \times D' + V_{IN} (V_{IN} \text{ to COM terminal}) \times I_Q' (\text{consumption current})$$

Step down type

$$D' (\text{Duty}) = \frac{T_{ON}}{T (\text{Period})} = \frac{V_O + V_F}{V_{IN} - V_{SAT} + V_F}$$

$$I_{SW} (\text{Average}) = I_O (\text{Output current})$$

Polarity invert type

$$D' (\text{Duty}) = \frac{T_{ON}}{T (\text{Period})} = \frac{|V_O| + V_F}{V_{IN} + |V_O| - V_{SAT} + V_F}$$

$$I_{SW} (\text{Average}) = \frac{1}{1-D'} \times I_O$$

V_F : Forward voltage of the diode

If the maximum operating temperature and Pd when the element is operating are determined, use such a heat sink as allows the element to operate within the safety operation area specified by the derating curve in 3.1 Fig. 1.

Insufficient radiation or using over the limitation of the inner power dissipation curve gives an unfavorable influence to the normal operation and reliability of the device.

In the case of being out of the safety operational territory illustrated by the derating curve, the overheat protection circuit operates to shut down output, please avoid keeping such condition for a long time.

7.3 Adjustment of output voltage

Output voltage can be adjustable by loading external resistor R1 and R2 in to pin No. 3, No. 4 terminal.

Adjustable range as follows ;

Step down voltage type

$$V_O = V_{REF} \text{ to } 35V (\text{Max. rating is limited by } (V_{IN} - V_{SAT}) \text{ according to input voltage})$$

Polarity inversion type

$$V_O = -V_{REF} \text{ to } -30V (\text{Absolute max. rating is limited by } 40 - V_{IN} \text{ according to input voltage})$$

$$\text{Output voltage } |V_O| = V_{REF} \times (1 + R2/R1) \quad (V)$$

$$R1 \text{ recommended range : } 0.7k\Omega \leq R1 \leq 3k\Omega$$

7.4 ON/OFF control terminal in the following circuit

⟨ON/OFF control⟩

When transistor Tr becomes ON and ON/OFF control terminal becomes low, output voltage can be turned OFF and become stand-by mode.

Stand-by mode current dissipation becomes Max. $400 \mu\text{A}$.

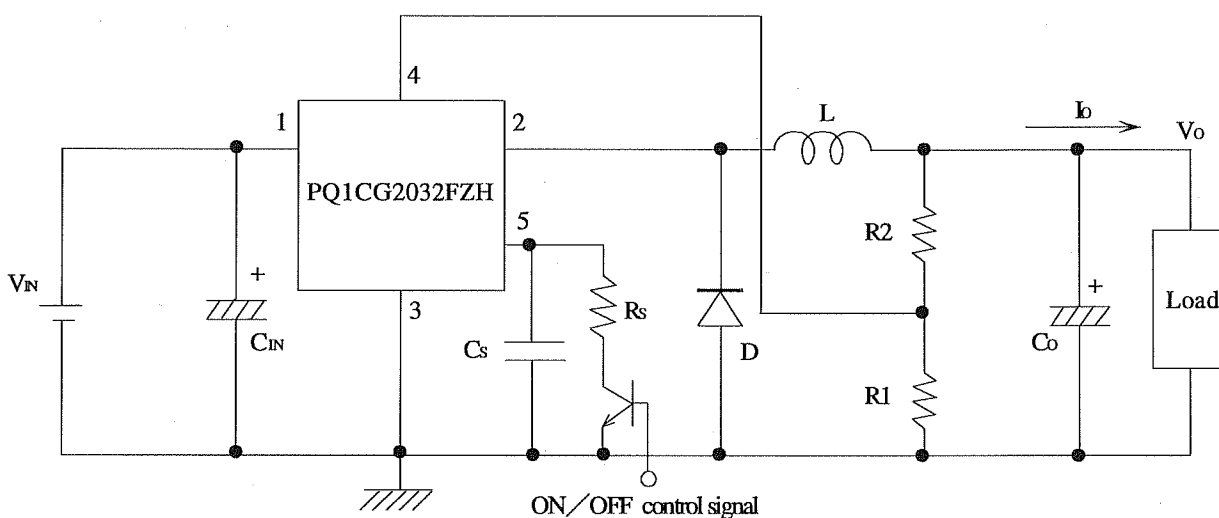
When transistor Tr becomes OFF, output voltage can be ON.

⟨Soft startup.⟩

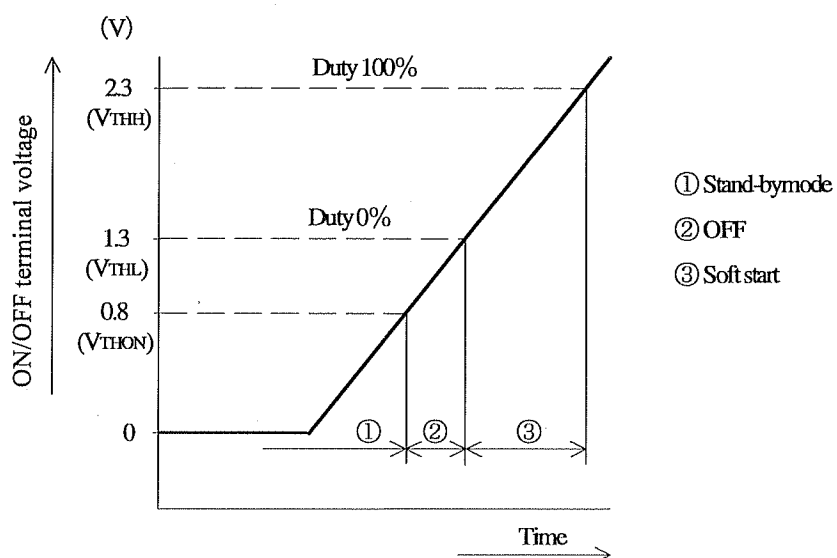
When capacitor Cs is loaded, output pulse gradually expanded and output voltage will start softly.

⟨ON/OFF control with soft startup.⟩

External resistor Rs should be leaded to avoid discharge current of Cs, and not to break the transistor Tr.



Step down type circuit diagram



7.5 Mounting

Please fix the device on the heat sink with tightening torque of 0.4 to 0.5N · m by using M3 screw.
Then, please pay attention so that mechanical stress shall not be loaded to the terminal and mold resin.
Strictly observe the following items to radiate the heat generated in the device effectively.

- (a) Warp and unevenness shall not occur on the contact surface of the heat sink and device.
- (b) Metal dust and burr shall not be attached to the contact surface of the heat sink and device.
- (c) Uniformly apply silicon grease on the contact surface of the heat sink and device.

Please select the grease having no secular alteration in the operating temperature range. And, grease to be used

- ① No secular variation in operating temperature range.
- ② Base oil does not separate and it does not stay in the device.
- ③ If base oil stay in the device, operation and life time are not given bad affection.

For example, we recommend G-746; Shin-Etsu

Chemical Co., Ltd. and SC-102; Dow Corning Toray Silicone Co., Ltd.

7.6 Static electricity

Good caution must be exercised against static electricity since this device consists of a bipolar IC.
Following are some examples of preventive measures against excessive voltages such as caused by static electricity.

- (a) Human body must be grounded to discharge the static electricity from the body or cloth.
- (b) Anything that is in contact with the device such as workbench, inserter, or measuring instrument must be grounded.
- (c) Use a solder dip basin with a minimum leak current (isolation resistance 10M Ω or more)
from the commercial power supply. Also the solder dip basin must be grounded.

7.7 Cleaning

- (1) Solvent cleaning : Solvent temperature 45°C or less, Immersion for 3 min or less
- (2) Ultrasonic cleaning : The effect to device by ultrasonic cleaning differs by cleaning bath size, ultrasonic power output, cleaning time, PCB size or device mounting condition etc.
Please test it in actual using condition and confirm that doesn't occur any defect before starting the ultrasonic cleaning.

- (3) Applicable solvent : Ethyl alcohol, Methyl alcohol, Isopropyl alcohol

When the other solvent is used, there are cases that the packaging resin is eroded.

Please use the other solvent after thorough confirmation is performed in actual using condition.

7-8 Storage environment

The products shall be stored at the temperature 5 to 30°C and the humidity lower than 70%RH,
avoiding direct sunlight.

Regarding the devices stored for long time, there is possibility that deterioration of lead pin color and solderability may occur. Please use the devices after checking the solderability in advance.

7-9 Hand soldering

This device is basically designed for reflow soldering ,if it is necessary to do hand soldering for modification,
please use a soldering iron which is countermeasured for static electricity .

Temperature of soldering iron tip should be less than 380°C .Time for soldering should be within 3 seconds each terminals.
Number of times should be only one time . Please be carefully not to give any stress on terminals by soldering iron.
Soldering iron should not touch terminals directly.

7.10 Input voltage to Oadj terminal

In case that ripple voltage of output is big, ripple voltage to Oadj voltage becomes big also and frequency of the chopper regulator may change. Especially under low temperature, impedance of an output capacitor increases and it makes the ripple voltage of output increase.

Therefore, please evaluate the device thoroughly on this point and make sure that it works under actual usage conditions.