

SHARP

REFERENCE

SPEC No. ED-05G171A
ISSUE April 4, 2006

OPTO-ANALOG DEVICES DIVISION
ELECTRONIC COMPONENTS GROUP
SHARP CORPORATION

SPECIFICATION

DEVICE SPECIFICATION FOR

PHOTOINTERRUPTER

MODEL No.

GP1A57HRJ00F

Specified for _____

Enclosed please find copies of the Specifications which consists of 11 pages including cover.
After confirmation of the contents, please be sure to send back copies of the Specifications
with approving signature on each.

CUSTOMER'S APPROVAL

DATE

BY

PRESENTED

DATE

BY

H. O

H. Ogura,
Department General Manager of
Engineering Dept., III
Opto-Analog Devices Div.
ELECOM Group
SHARP CORPORATION

Product name: PHOTOINTERFACETER

REFERENCE

Model No. : GP1A57HRJ00F

1. These specification sheets include materials protected under copyright of Sharp Corporation ("Sharp"). Please do not reproduce or cause anyone to reproduce them without Sharp's consent.
2. When using this product, please observe the absolute maximum ratings and the instructions for use outlined in these specification sheets, as well as the precautions mentioned below. Sharp assumes no responsibility for any damage resulting from use of the product which does not comply with the absolute maximum ratings and the instructions included in these specification sheets, and the precautions mentioned below.

(Precautions)

- (1) This product is designed for use in the following application areas ;

(

- OA equipment
- Audio visual equipment
- Home appliances
- Telecommunication equipment (Terminal)
- Measuring equipment
- Tooling machines
- Computers

)

If the use of the product in the above application areas is for equipment listed in paragraphs (2) or (3), please be sure to observe the precautions given in those respective paragraphs.

- (2) Appropriate measures, such as fail-safe design and redundant design considering the safety design of the overall system and equipment, should be taken to ensure reliability and safety when this product is used for equipment which demands high reliability and safety in function and precision, such as ;

(

- Transportation control and safety equipment (aircraft, train, automobile etc.)
- Traffic signals
- Gas leakage sensor breakers
- Rescue and security equipment
- Other safety equipment

)

- (3) Please do not use this product for equipment which require extremely high reliability and safety in function and precision, such as ;

(

- Space equipment
- Telecommunication equipment (for trunk lines)
- Nuclear power control equipment
- Medical equipment

)

- (4) Please contact and consult with a Sharp sales representative if there are any questions regarding interpretation of the above three paragraphs.

3. Please contact and consult with a Sharp sales representative for any questions about this product.

REFERENCE

1. Application

This specification applies to the outline and characteristics of transmissive type photointerrupter, Model No. GP1A57HRJ00F.

2. Outline

Refer to the attached drawing No. CY12039i02.

3. Ratings and characteristics Refer to the attached sheet, Page 4 to 6.

4. Reliability: Refer to the attached sheet, Page 7.

5. Outgoing inspection: Refer to the attached sheet, Page 8.

6. Supplements

6.1 Parts Refer to the attached sheet, Page 9.

6.2 ODS materials

This product shall not contain the following materials.

Also, the following materials shall not be used in the production process for this product.

Materials for ODS : CFCs, Halon, Carbon tetrachloride, 1,1,1-Trichloroethane (Methylchloroform)

6.3 Brominated flame retardants

Specific brominated flame retardants such as the PBBOs and PBBs are not used in this device at all.

6.4 Product mass : Approx. 0.7g

6.5 Package drawing : Refer to the attached drawing No. CY12040i09.

6.6 RoHS restriction

This product does not contain LEAD(Pb) more than RoHS restriction level.

Object : Lead, hexavalent chromium, cadmium, mercury, and two types of brominated flame retardants (PBB, PBDE).

6.7 Country of origin : Japan, Indonesia, Philippine

7. Notes

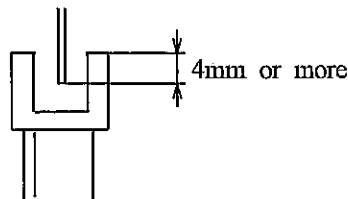
7.1 Power supply line

In order to stabilize power supply line, connect a by-pass capacitor of more than $0.01 \mu\text{F}$ between Vcc and GND near the device.

7.2 Position of opaque board

Opaque board shall be installed at place 4mm or more from the top of elements.

(Example)



7.3 Soldering

To solder onto lead pins, solder at 260°C for 5 seconds or less.

Please take care not to let any external force exert on lead pins when soldering or just after soldering.

Please don't do soldering with preheating, and please don't do soldering by reflow.

7.4 Cleaning conditions :

(1) Solvent cleaning : Solvent temperature 45°C or less

Immersion 3 min. or less

(2) Ultrasonic cleaning : The effect to device by ultrasonic cleaning differs by cleaning bath size, ultrasonic power output, cleaning time, PCB size or device mounting condition etc.

Please test it in actual using condition and confirm that doesn't occur any defect before starting the ultrasonic cleaning.

(3) Applicable solvent : Ethyl alcohol, Methyl alcohol, Isopropyl alcohol

7.5 Flux

Some flux, which is used in soldering, may crack the package due to synergistic effect of alcohol in flux and the rise in temperature by heat in soldering. Therefore, in using flux, please make sure that it does not have any influence on appearance and reliability of the photointerrupter.

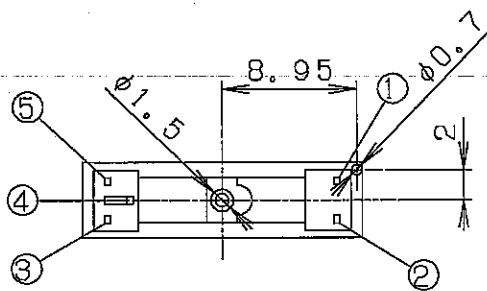
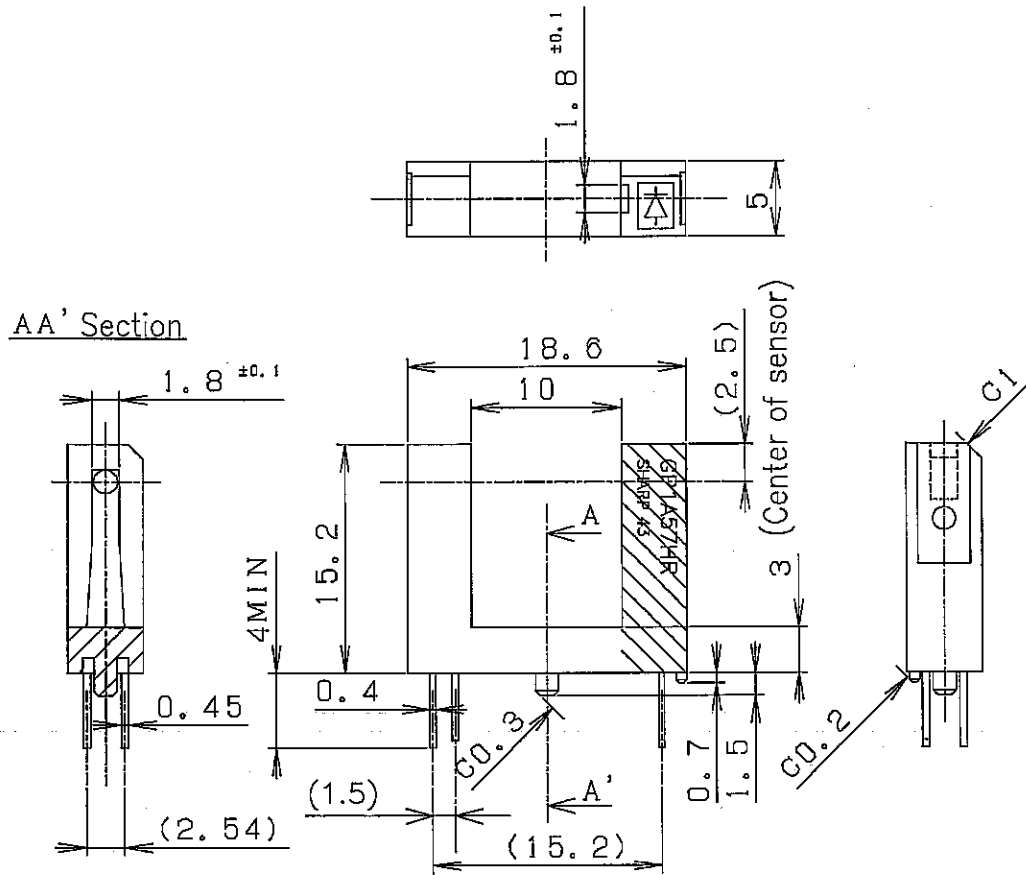
REFERENCE

2. Outline (CY12039i02)

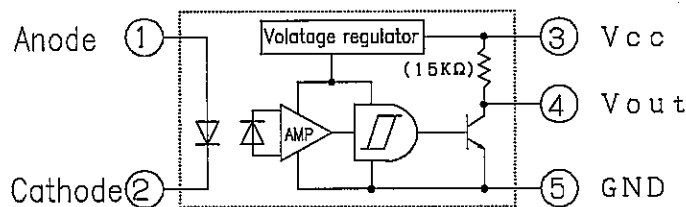
Scale: 2/1

Unit:1/1mm

- 1) Unspecified tolerances shall be $\pm 0.2\text{mm}$.
- 2) Dimensions in parenthesis are shown for reference.



Internal connection diagram



3. Ratings and characteristics
 3.1 Absolute maximum ratings

REFERENCE

Ta=25°C

Parameter		Symbol	Rating	Unit
Input	*1 Forward current	I _F	50	mA
	*2 Peak forward current	I _{FM}	1	A
	Reverse voltage	V _R	6	V
	Power dissipation	P	75	mW
Output	Supply voltage	V _{CC}	-0.5 to +17	V
	*1 Output current	I _O	50	mA
	*1 Power dissipation	P _o	250	mW
Operating temperature		T _{opr}	-25 to +85	°C
Storage temperature		T _{stg}	-40 to +100	°C
*3	Soldering temperature	T _{sol}	260	°C

- *1 The derating factors of absolute maximum ratings due to ambient temperature are shown in Fig. 1, 2, 3.
- *2 Pulse width $\leq 100 \mu s$, Duty ratio : 0.01
- *3 For 5s

REFERENCE

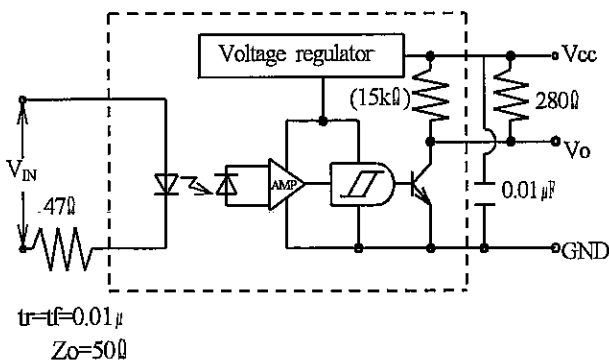
3.2 Electro-optical characteristics

Ta=25°C

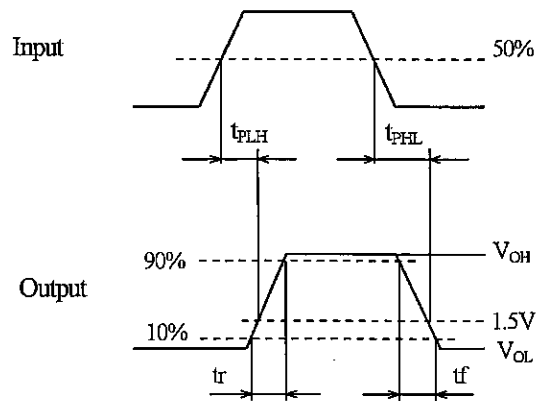
Parameter		Symbol	Conditions	MIN.	TYP.	MAX.	Unit	
Input	Forward voltage	V_F	$I_F=7\text{mA}$	-	1.14	1.4	V	
	Reverse current	I_R	$V_R=3\text{V}$	-	-	10.0	μA	
Output	Operating voltage	V_{CC}	-	4.5	-	17.0	V	
	Low level output voltage	V_{OL}	$V_{CC}=5\text{V}$, $I_F=0\text{mA}$, $I_{OL}=16\text{mA}$	-	0.15	0.4	V	
	High level output voltage	V_{OH}	$V_{CC}=5\text{V}$, $I_F=7\text{mA}$	4.9	-	-	V	
	Low level supply current	I_{CCL}	$V_{CC}=5\text{V}$, $I_F=0\text{mA}$	-	1.7	3.8	mA	
	High level supply current	I_{CCH}	$V_{CC}=5\text{V}$, $I_F=7\text{mA}$	-	0.7	2.2	mA	
Transfer characteristics	*1 "L→H" threshold input current	I_{FLH}	$V_{CC}=5\text{V}$	-	1.0	7.0	mA	
	*2 Hysteresis	I_{FHL} / I_{FLH}	$V_{CC}=5\text{V}$	0.55	0.75	0.95	-	
	*3 Response time	"L→H" Transmission time	t_{PLH}	$V_{CC}=5\text{V}$, $I_F=7\text{mA}$ $R_L=280\Omega$	-	3.0	9.0	μs
		"H→L" Transmission time	t_{PHL}		-	5.0	15.0	μs
		Rise time	t_r		-	0.1	0.5	μs
Fall time		t_f	-		0.05	0.5	μs	

- *1 I_{FLH} is forward current value when output voltage changing from "L" to "H".
- *2 I_{FHL} is forward current value when output voltage changing from "H" to "L".
- *3 Test circuit of for response time is shown the below.

note) When the light beam between the light emitter and detector is interrupted, the output voltage becomes Low level.



Test circuit for response time



Timing chart

Fig.1 Forward current vs. ambient temperature

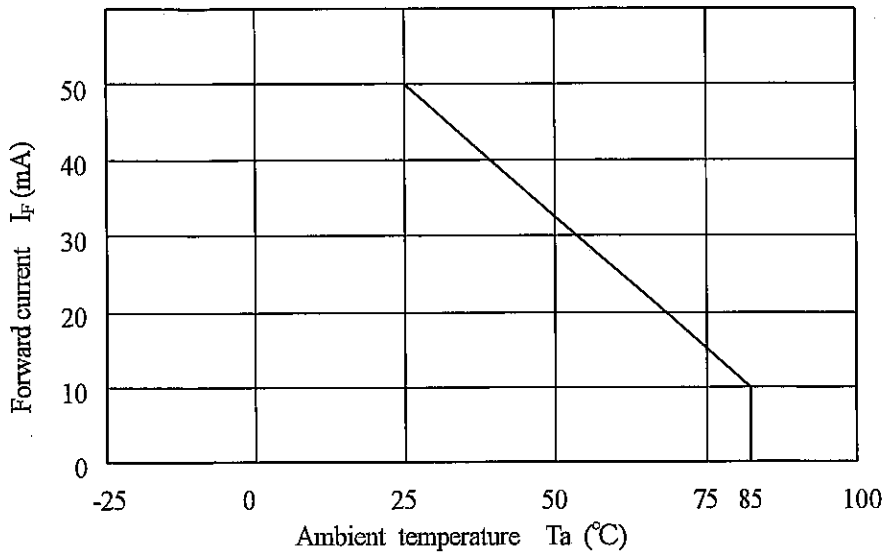


Fig.2 Power dissipation vs. ambient temperature

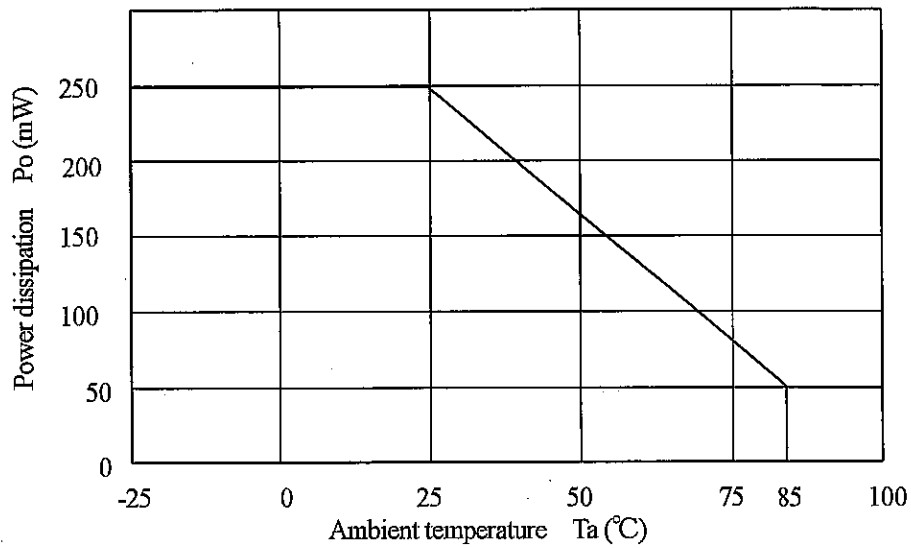
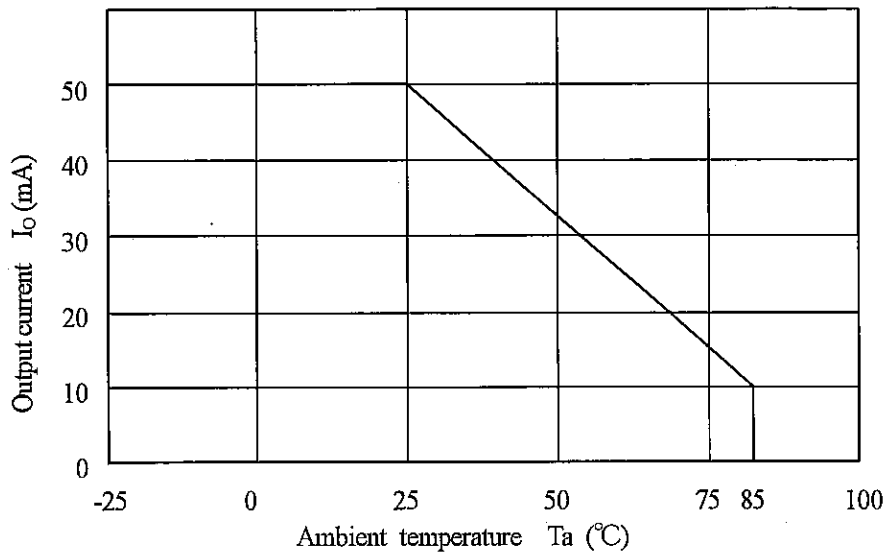


Fig.3 Output current vs. ambient temperature



4. Reliability

The reliability of products shall be satisfied with items listed below.

Confidence level : 90%

LTPD : 10 or 20

Test Items	Test Conditions	Failure Judgement Criteria	Samples (n)
			Defective (c)
Temperature cycling	1 cycle -40°C to +100°C (30min.) (30min.) 20 cycle test	$V_F \geq U \times 1.2$ $I_R \geq U \times 2$ $V_{OL} \geq U \times 1.2$ $V_{OH} \leq L \times 0.8$ $I_{CCL} \geq U \times 1.2$ $I_{CCH} \geq U \times 1.2$ $I_{FLH} \geq U \times 1.2$ $I_{FHL} / I_{FLH} \geq U + 0.04$ $I_{FHL} / I_{FLH} \leq L - 0.04$ U: Upper specification limit L: Lower specification limit	n=22, c=0
High temp. and high humidity storage	+60°C, 90%, 500h		n=22, c=0
High temp. storage	+100°C, 500h		n=22, c=0
Low temp. storage	-40°C, 500h		n=22, c=0
Operation life	$I_F=20mA$, $T_a=25^\circ C$, 500h		n=22, c=0
Mechanical shock	15000m/s ² , 0.5ms 3times/±X, ±Y, ±Z direction		n=11, c=0
Variable frequency vibration	100 to 2000 to 100Hz/20min. 2h/X, Y, Z direction 100m/s ²		n=11, c=0
Terminal strength (Tension)	Weight: 10N 30s/each terminal		n=11, c=0
Terminal strength (Bending) *1	Weight: 5N 0° →90° →0° →-90° →0° 1 time bending		n=11, c=0
Soldering heat	260°C, 5 s		n=11, c=0
Solderability *2	245°C, 5 s	Judgement only appearance. Solder shall adhere at less than 95% area of immersed portion of lead.	n=11, c=0

*1 Terminal bending direction is shown below.



*2 The alloy composition of solder used should be Sn-3.0Ag-0.5Cu.

Flux used for precleaning should be equivalent to EC-19S(TAMURA KAKEN CORPORATION).

REFERENCE

5. Outgoing inspection

5.1 Inspection items

(1) Electro-optical characteristics

$V_F, I_R, V_{OL}, V_{OH}, I_{CCL}, I_{CCH}, I_{FLH}$

(2) Appearance

5.2 Sampling method and Inspection level

Defect	Inspection item	Inspection level	AQL (%)
Major defect	Characteristics defect Unreadable marking	II	0.1
Minor defect	Appearance defect except the above mentioned.	II	0.25

A single sampling plan, normal inspection based on ISO 2859 is applied.

6. Supplements

6.1 Parts

This product uses the below parts.

6.1.1 Light detector (IS486, Quantity : 1)

(Using a silicon photodiode as light detecting portion, and a bipolar IC as signal processing circuit.)

Type	Maximum sensitivity wavelength (nm)	Sensitivity wavelength (nm)	Response time (μ s)
Photodiode	900	400 to 1200	3

6.1.2 Light emitter (GL480, Quantity : 1)

Type	Material	Maximum light emitting wavelength (nm)	I/O Frequency (MHz)
Infrared light emitting diode (non-coherent)	GaAs	950	0.3

6.1.3 Material

Case	Lead flame finish
Black NORYL resin	Solder dip (Sn-3.0Ag-0.5Cu)

6.1.4 Others

This product shall not be proof against radiation flux.

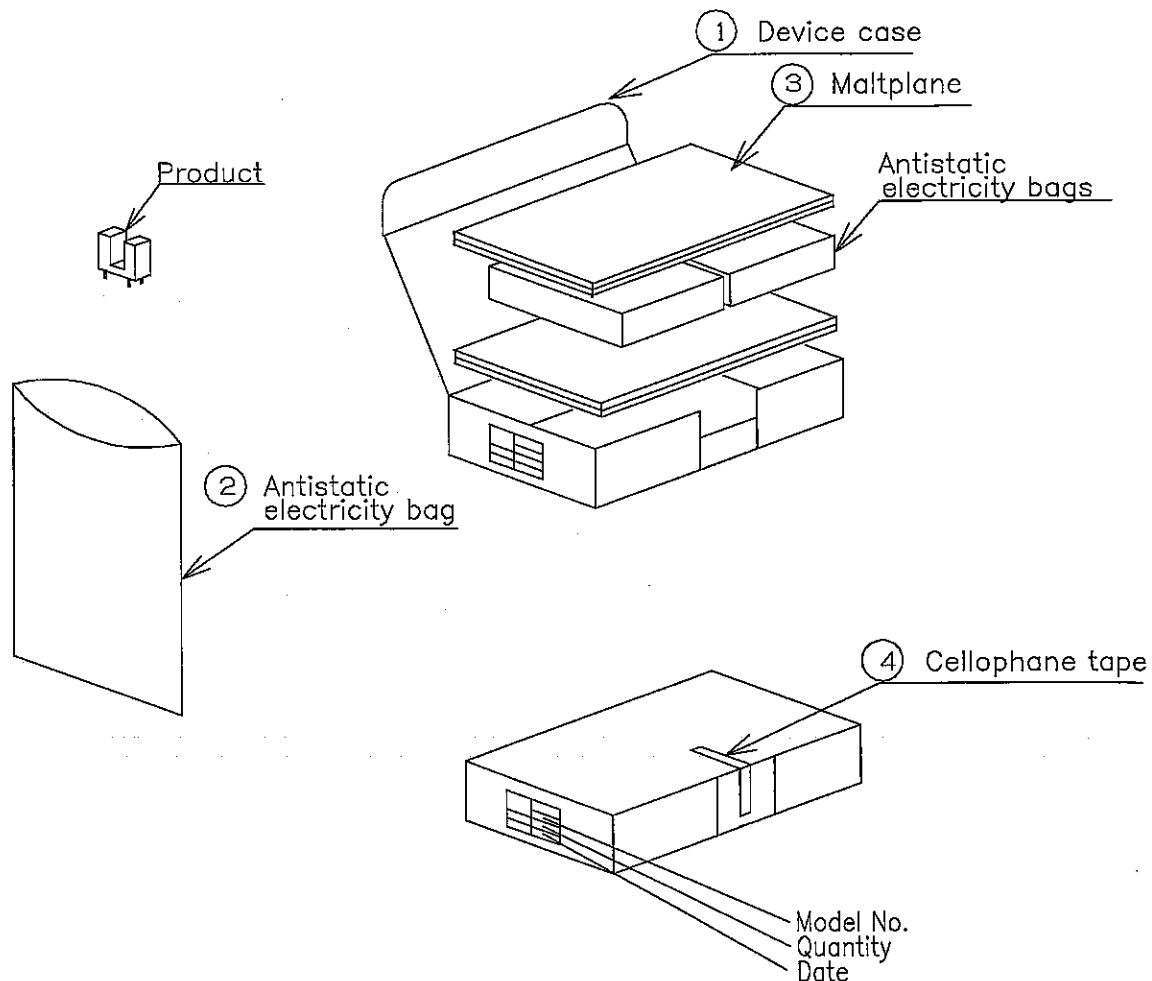
Laser generator is not used.

REFERENCE

ED-05G171A GP1A57HRJ00F
10/10
April 4, 2006

6. 5 Package Drawing(Drawing No.:CY12040i09)

Scale: 2/1 Unit:1/1mm



1. Packing material

No	Name	Item	Quantity
1	Device case	Corrugated cardboard	1
2	Antistatic electricity bag	Polyethylene	2
3	Maltplane	Urethane	4
4	Cellophane tape	Cellophane	-

2. Packing Quantity

Packing bag: 50pcs./bag

Packing case: 100pcs. /case (Total weight: approx. 153g)