





No.	UL2-M-206E
Date	15. Jul. 2014

## UL Parts List

Model No. : LQ121S1LG81/LG84

< Document > 1) MATERIALS AND COMPONENT PARTS LIST  
2) Module Structure

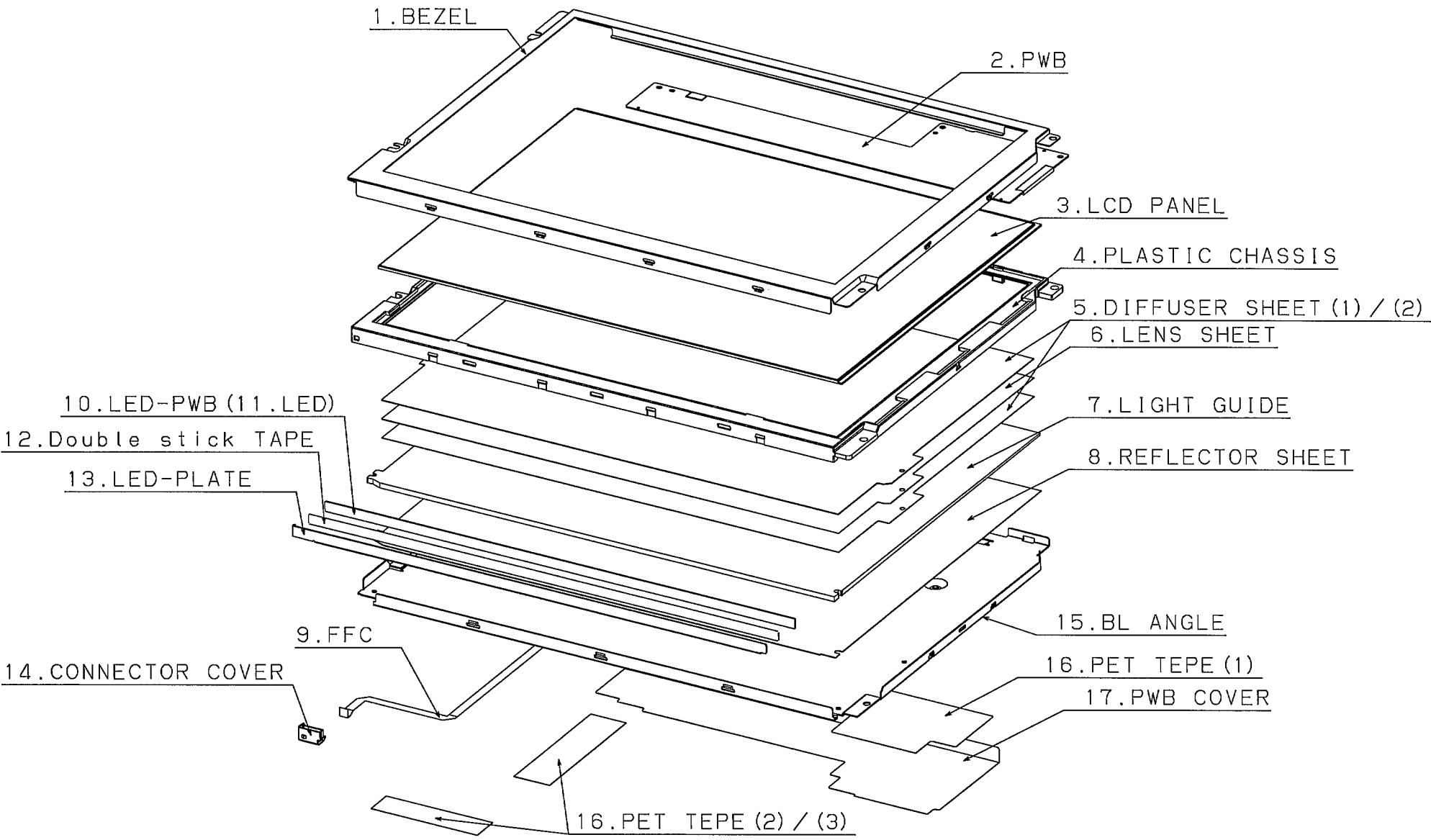
SHARP CORPORATION  
DEVELOPMENT DEPT. I  
LIQUID CRYSTAL DISPLAY DIVISION III  
DISPLAY DEVICE BUSINESS GROUP

Department General	Manager	Supervisor	In charge
			

NO.	DATE	SUMMARY
UL2-M-206A	2010/10/14	1st issue
UL2-M-206B	2011/4/22	Add the model LQ121S1LG84.
		Change the name of the company. (SUMITOMO DOW LTD ⇒ SUMIKA STYRON POLYCARBONATE LTD)
UL2-M-206C	2014/6/11	Change of PWB(SC-PWB)/LED PWB (deletion of QMTS-category)
UL2-M-206D	2014/6/17	Correct of PLASTIC CHASSIS (FC-003B ⇒ FC-003)
		Delete of PWB(SC-PWB) LED PWB EM-220(5) ⇒ Delete
UL2-M-206E	2014/7/15	Add of PWB(SC-PWB) LED PWB (Add of HXF-M)

## MATERIALS AND COMPONENT PARTS LIST

COMPONENT	GENERIC NAME	CAT. No. (GRADE)	UL FILE No.	FLAME CLASS	MANUFACTURER	Ref. No.
BEZEL	SECC	-	-	-	-	1
PWB (SC-PWB) /LED PWB △C	GLASS EPOXY	YA-11	E114139	94V-0	T-MAC TECHVEST PCB CO LTD	2, 10
	GLASS EPOXY	M1X, G2X, G4X, UTBX, UTB1X, UTA1X	E41363	94V-0	CMK CORP	
	GLASS EPOXY	1, 2, 2-3, 2-4, 2-5, 2-6, 2-7, 2-9, 2A, 2B	E222034	94V-0	TRIPOD(WUXI) ELECTRONIC CO LTD	
	GLASS EPOXY	A, 3, 3A, 5, 5B, 7-1, 7-2, EM-220(5) △D	E222034	94V-0	TRIPOD(WUXI) ELECTRONIC CO LTD	
	GLASS EPOXY	1, 2, 2-3, 2-4, 2-5, 2-6, 2-7, 2A	E187565	94V-0	TRIPOD TECHNOLOGY CO LTD	
	GLASS EPOXY	A, 2B, 3, 3A, 5, 5B, 7-1, 7-2	E187565	94V-0	TRIPOD TECHNOLOGY CO LTD	
	GLASS EPOXY	HXF-M	E227809	94V-0	KUNSHAN HUAXIN CIRCUIT BOARD CO LTD	
LCD PANEL	GLASS	-	-	-	SHARP CORP	3
PLASTIC CHASSIS / CONNECTOR COVER	PC	FC-003 △D	E177071	94V-0	CHI LIN TECHNOLOGY CO LTD	4, 14
	PC	875-20, 876-20, 875GnnF, 875Gmm	E123529	94V-0	SUMIKA STYRON POLYCARBONATE LTD △B	
	PC	LR8031V, LR8061V-F10, PCX-2501	E123529	94V-0	SUMIKA STYRON POLYCARBONATE LTD △B	
	PC	CELEX 310*, 370HF	E132010	94V-0	DOW CHEMICAL PACIFIC LTD	
	PC	EFR3000, EHR3100, EHR3500	E41179	94V-0	mitsubishi ENGINEERING-PLASTICS CORP	
	PC	LB-1090HK	E115797	94V-0	CHEIL INDUSTRIES INC CHEMICALS DIV	
DIFFUSER SHEET (1) / (2)	PET	D****	-	-	TSUJIDEN CO LTD	5
	PET	LIGHT UP	-	-	KIMOTO CO LTD	
	PET	OPALUS	-	-	KEIWA INC	
	PET	CH27, CH28, CH273	-	-	SKG CO LTD	
LENS SHEET	PET	BEF	-	-	3M COMPANY	6
	PET	HLAS	-	-	LMS Co., Ltd	
LIGHT GUIDE	PMMA	ACRYLITE L, LX, VH	E54695	94HB	MITSUBISHI RAYON CO LTD	7
	PMMA	PARAPET HR	E54562	94HB	KURARAY CO LTD METHACRYL POLYMER	
	PMMA	COMOGLAS CG (SHINKOLITE A)	E54562	94HB	KURARAY CO LTD METHACRYL POLYMER	
	PMMA	SUMIPEX E/MG	E54705	94HB	SUMITOMO CHEMICAL CO LTD	
	PMMA	DELAGLAS AC/AD, 80NH	E48285	94HB	ASAHI KASEI CHEMICALS CORP	
	PMMA	ACRYREX CM-205	E56070	94HB	CHI MEI CORPORATION	
REFLECTOR SHEET	PET	Lumirror E6**	-	-	TORAY INDUSTRIES INC	8
	PET	OPALUS	-	-	KEIWA INC	
	PET	UX188	-	-	TEIJIN DUPONT	
	PET	RF195E, RF195E2, RF215G, RF220E*	-	-	TSUJIDEN CO LTD	
FFC	POLYESTER	2896, 20624, 20861	E41105	VW-1	SUMITOMO ELECTRIC INDUSTRIES LTD	9
LED	LED	-	-	-	-	11
Double stick TAPE	PET	4880, 4972	-	-	tesa tape K.K.	12
	PET	7641, 707	-	-	TERAOKA SEISAKUSHO CO LTD	
LED PLATE / BL ANGLE	AL	-	-	-	-	13, 15
PET TAPE (1)/(2)/(3)	Polyester	630F	E56086	UL510	TERAOKA SEISAKUSHO CO LTD	16
	Polyester	#7053, #777	-	-	TERAOKA SEISAKUSHO CO LTD	
	Polyester	631S	-	-	TERAOKA SEISAKUSHO CO LTD	
PWB COVER	PET	PET50 (A)	-	-	LINEC Corporation	17
	PET	X-30, S10	-	-	TORAY INDUSTRIES INC	
	PET	B-100	-	-	Mitsubishi Polyester Film Corporation	
	PET	707	-	-	TERAOKA SEISAKUSHO CO LTD	
	Polyester	630F	E56086	UL 510	TERAOKA SEISAKUSHO CO LTD	
	Polyester	631S	-	-	TERAOKA SEISAKUSHO CO LTD	



Module Construction